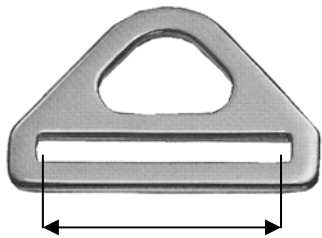


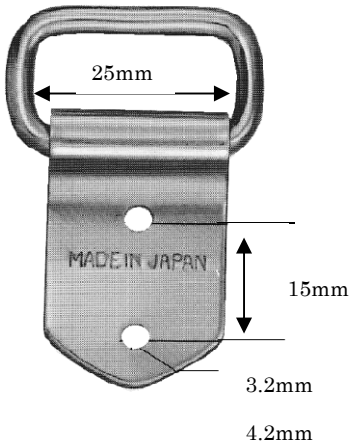
Fittings



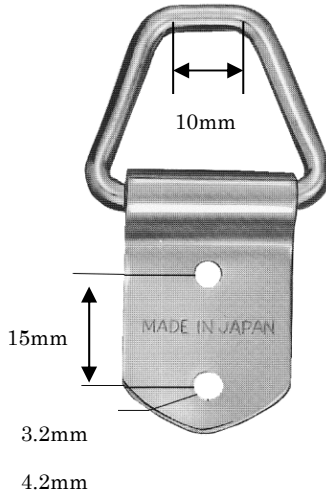
3328
(24,30,40mm)



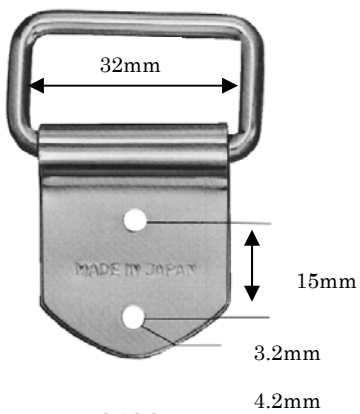
4715
(25,30mm)



3125



3124



3126

Stay & Cardholder



No.4395 (R + L)



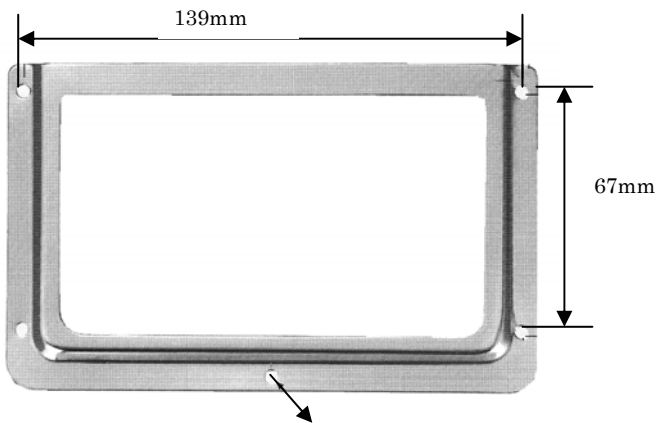
No.4393(R + L)
with ball bearing



No.4396(R + L)



No.4394(R + L)
with ball bearing



No.4281

Ø3.0mm